

System Controllers

Ethernet System Controller **WV-CU950**

The Surveillance Cockpit for Total Control of the System850.



Integrated System Control

Camera Control

- Detached joystick controls Pan/Tilt and Zoom, allowing seamless tracking.
- Larger numeric keypad provides direct access to cameras.

Recorder Control

- Jog Dial and Shuttle Ring for smoother control of WJ-HD300 Series recorders
- Dedicated Record, Play, and Search buttons

Switcher Control

- Image switching and sequencing buttons

Easy to Operate While Focused on Surveillance

Universal Design for Right or Left Hand Use

- Detached joystick pad
- Layout with Jog Dial and Shuttle Ring in center

More Comfortable Extended Surveillance

- Soft padding on joystick
- Adjustable joystick height for large or small hands
- Low center of gravity design and adjustable angle minimize strain

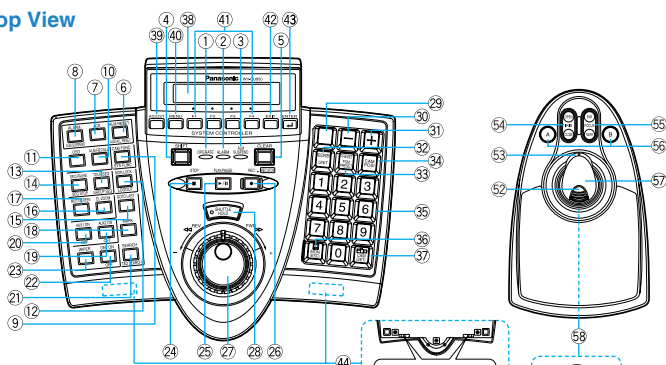
Instinctive Operation

- Cockpit style button layout

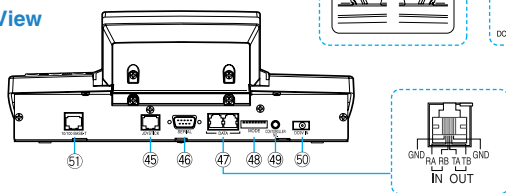
System Management Capability

- User level management for registered users
- User assignable buttons: four in main unit plus three in palm rest

Top View



Rear View



1. Operation Indicator
2. Alarm Indicator
3. Alarm Suspend Indicator
4. Shift Button
5. Clear Button
6. Alarm Reset/Alarm All Reset Button
7. Alarm Acknowledge Button
8. Alarm/Alarm Suspend Button
9. Camera Function/System Function Button
10. Alarm Recall Button
11. On-Screen Display Button
12. Monitor Lock/Logout Button
13. Tour Sequence/Group Sequence Button
14. Sequence Pause/Sequence Stop Button
15. Go To Last Button
16. Electronic Zoom Button
17. Multiscreen Selection Button
18. Mark Button
19. Auxiliary 2 ON/OFF Button
20. Auxiliary 1 ON/OFF Button
21. Search/Time and Date Search Button
22. Defroster Button
23. Wiper Button
24. Stop Button
25. Play/Pause Button
26. Recording Button
27. Shuttle Ring (Outside)/ JogDial (Inside)
28. Shuttle Hold Button
29. History Button
30. -Button
31. +Button
32. Recorder/Unit Selection Button

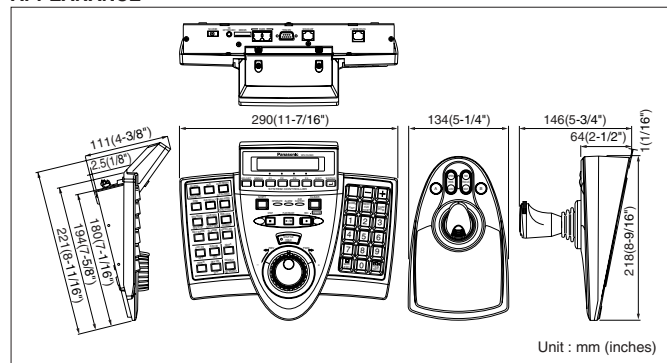
33. Preset/Program Preset Button
34. Camera Position Button
35. Numeric Buttons
36. Monitor/Escape Button
37. Camera/Set Button
38. LCD
39. Adjustment Button
40. Menu Button
41. Function Buttons
42. Exit Button
43. Enter Button
44. Feet
45. Joystick Connector
46. Serial Port
47. Data Ports
48. Mode Selection Switches
49. Controller Number Switch
50. DC 9V Input Jack

51. 10Base-T/100Base-TX Port
52. Top Button
53. Zoom Wheel Controller
54. Iris Control Buttons
55. Focus Control Buttons
56. A and B Buttons
57. 3D Joystick
58. Adjusting Screw

SPECIFICATIONS

Power Source	9 V DC, 600 mA (using the supplied AC adapter)
Power Source (supplied AC adapter)	120 V AC, 60 Hz, 200 mA
Ethernet Port	10Base-T/100Base-TX, RJ-45 x1
Data Output/Input Port	6-conductor modular jack (RS-485, Full duplex) x2
Serial Port	9-pin D-sub connector
Controller Number	1 to 8 (rotary switch)
Ambient Operating Temperature	-10 °C to +50 °C (14 °F to 122 °F)
Unit Number Selection	1 to 99
Monitor Number Selection	1 to 99
Camera Number Selection	1 to 256
Dimensions (W x H x D)	Main Unit: 290 x 111 x 221 mm (11-7/16" x 4-3/8" x 8-11/16") 3D Joystick Unit: 134 x 146 x 218 mm (5-1/4" x 5-3/4" x 8-9/16")
Weight (without the AC adapter)	Main Unit: 1.3 kg (2.86 lbs.) 3D Joystick Unit: 0.8 kg (1.76 lbs.)

APPEARANCE



Unit : mm (inches)