



(System Controller WV-CU950 and LCD AV Monitor WV-LC1710 optional.)

i-Pro operation and management software for multi-recorder multi-site system

Key Features

- Up to 100 recorders can be registered.
- Up to 3,200 cameras can be registered (depending on the recorders).
- The optional WV-CU950 allows easier camera and recorder control with WV-ASM100.
- Live image can be received directly from the camera or via the recorder allowing flexible network design.
- Multi-Monitor option enables simultaneous use of operation display (Spot/Quad), Live display (1/4/9/16 split) and Map display each on a dedicated monitor. Single or two monitor operation is also available.
- User definable operation panel layout and background color
- Up to 30 ips/camera in 16 split-screen in MPEG-4 2 Mbps mode (depending on the camera and camera setup) (i-Pro series only except for WV-NM100)
- Camera groups can be assigned to quickly select pre-programmed collections of cameras. Multiscreen mode (1/4/9/16) is automatically selected corresponding to the number of cameras in the group. A maximum of 400 groups is available.
- Image resolution dynamically changes depending on screen mode: VGA for Quad screen, QVGA for 16 split screen, enabling optimum network usage (depending on the camera model).
- Alarm notification: A pop-up alarm message is displayed and live or playback images can be viewed by clicking the icon in the message.
- Alarm notification: A pop-up alarm message is displayed and live or playback images can be viewed by clicking the icon in the message (refer to the picture shown on right).
- Images from Alarm camera can be displayed on the live monitor either in 1/4/9/16 split screen mode.

- Illustrated camera, alarm and recorder icons allowing intuitive operations.
- Illustrated icons also indicate communication errors generated by cameras and recorders.
 - Up to 64 camera icons can be freely positioned on a map with alarm status indicated by the colors of the icons.
- Camera title and group title can easily be ON/OFF by mouse operation
- Recorded images of up to 32 cameras registered in a recorder and the viewer software can be downloaded in order by one operation.
- User authentication with Password time limit, 5 user levels and User-Camera View/Control partitioning set up for sophisticated user management of up to 32 user registrations.
- Auto login can be set on/off for flexibility
- System logs can be saved in CSV format. Operation log can automatically be erased by time (31 / 92 / 184 / 366 days)

Alarm Notification



Optional Accessory

System Controller
WV-CU950



Specifications

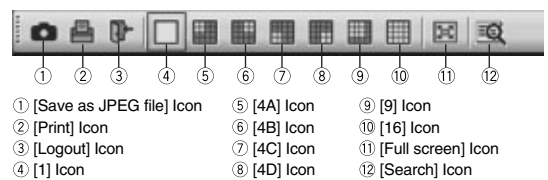
Supported Equipment	Supported Cameras	Direct: Panasonic i-Pro series Network cameras except for WV-NM100 (for live viewing) Via Recorder: Panasonic i-Pro series Network cameras, BB series (specific models) and Axis (specific models)	
	Supported Recorders	WJ-ND300 series, WJ-ND200 series	
	Supported Encoders	WJ-NT304	
	Supported Controllers	WV-CU950	
	Supported Image Format	MPEG-4 (i-Pro series except for WV-NM100), M-JPEG	
	Maximum Number of Recorder Registrations	100	
	Maximum Number of Camera Registrations	3,200	
	GUI Function	Camera Control (depending on the Camera)	Pan/Tilt, Zoom, Focus, Iris, Preset position call and program (up to 256), Auto mode (SEQ, SORT, AUTO PAN, PATROL, AUTO TRACK), AUX 1 ~ 3
		Recorder Control (depending on the Recorder)	REC, PLAY, Rev PLAY, Pause, Stop, FF (up to 96x), REW (up to 96x), Prev Record, Next Record, Prev Image, Next Image, Skip (up to 60 min.), Rev Skip, (up to 60 min.) Text.
		Search Mode	Target: Recorder (Camera) / Group / Map, Search criteria: Time date, Event type, Text.
Multiscreen Mode		Spot / Quad (A ~ D) / 9 split / 16 split	
Sequence Display		10 programs, 64 steps/pattern, Spot or Quad group, Dwell time: 3s / 5s / 10s / 15s / 20s	
Display Performance		30 ips x 16 screens at MPEG-4 2 Mbps	
Multi-Monitor		Up to 3 monitors (Operation / Live / Map), Up to 20 cameras can be displayed (Operation-4, Live-16)	
Group Display		Up to 400 groups with 16 alphanumeric titles.	
Number of Maps		Up to 50 maps (JPEG or Bit map), Link: 64 cameras and 20 maps / map	
Image Download		Recorded data of selected cameras and time range can be downloaded to a PC. Manual download only. Viewer software can be extracted from the main software.	
Camera Title Display		On the GUI, Up to 16 Characters.	
Clock Display		On the GUI. Time: 12H/24H, Date: 5 formats (When the image comes from the recorder)	
Alarm Source		Panasonic alarm protocol by Recorder	
Alarm Control		Reset, Auto reset (OFF / 10s / 20s / 30s / 1min / 5min)	
Alarm Action		Up to 16 alarm images can be displayed on the live monitor. Corresponding camera icon on the map lights up. Alarm message on the GUI and buzzer.	
Digital Zoom		Up to 4 times	
Text Attachment		Free comment can be attached for each record and reviewed at later time. Up to 200 characters	
System Log		Operation (100,000), System (1,000), Network error (1,000), Recorder error (1,000), Alarm (30,000)	
Recorder Log Download	Operator access, Network error, Error, Event		
User Management	Registration: Up to 32 users + Administrator (ID and Password), User level: 5 levels (Programmable), PW time limit: OFF/31/92/184 days, Auto login: ON/OFF, Recorder login user: Up to 16 users		
Partitioning	User - Camera (View only, View & Control, No Access)		
Security Method	User authentication (ID and Password), Host authentication (IP address), Alteration detection, Hardware key (USB dongle)		
Time Synchronization	NTP (Server/Client)		
Summer Time	User definable (using menu setup)		
System Setup	Setup page in English		
GUI Language	English		
Supported OS	Windows® XP Home/Professional SP2 English		
Network	Proxy	HTTP proxy supported (IP address and port No.)	
	FTP	Passive/Active	
Viewer Software	Playback Control	Play, Rev Play, Pause, FF, REW, Prev Record, Next Record, Prev Image, Next Image	
	Additional Functions	Alteration detection, Save as JPEG, Two times zoom, Print	

Major Operating Controls

Operation Window

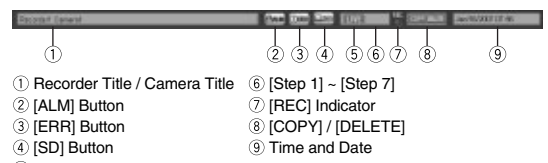


Tool Bar



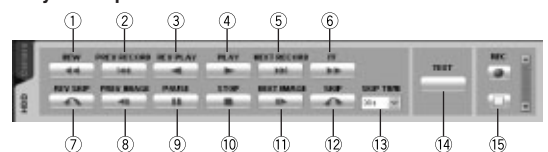
- ① [Save as JPEG file] Icon
- ② [Print] Icon
- ③ [Logout] Icon
- ④ [1] Icon
- ⑤ [4A] Icon
- ⑥ [4B] Icon
- ⑦ [4C] Icon
- ⑧ [4D] Icon
- ⑨ [9] Icon
- ⑩ [16] Icon
- ⑪ [Full screen] Icon
- ⑫ [Search] Icon

Status Bar



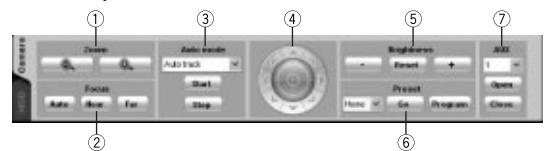
- ① Recorder Title / Camera Title
- ② [ALM] Button
- ③ [ERR] Button
- ④ [SD] Button
- ⑤ [LIVE] / [PLAY] / [SD PLAY]
- ⑥ [Step 1] ~ [Step 7]
- ⑦ [REC] Indicator
- ⑧ [COPY] / [DELETE]
- ⑨ Time and Date

Playback Operation Panel



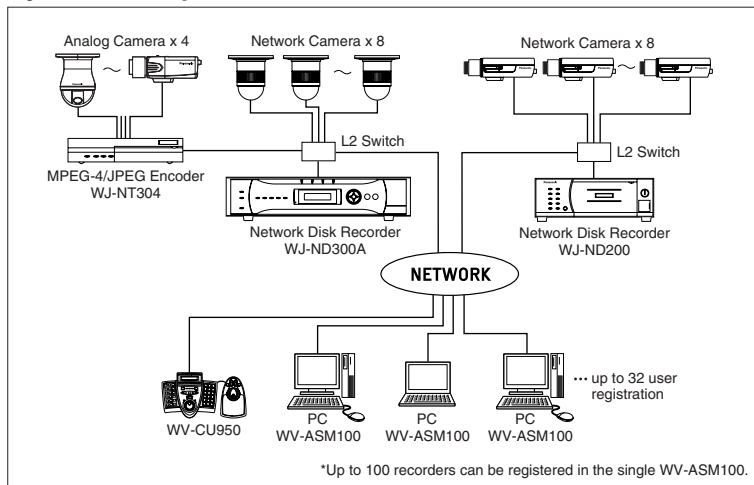
- ① [REW] Button
- ② [PREV RECORD] Button
- ③ [REV PLAY] Button
- ④ [PLAY] Button
- ⑤ [NEXT RECORD] Button
- ⑥ [FF] Button
- ⑦ [REV SKIP] Button
- ⑧ [PREV IMAGE] Button
- ⑨ [PAUSE] Button
- ⑩ [STOP] Button
- ⑪ [NEXT IMAGE] Button
- ⑫ [SKIP] Button
- ⑬ [SKIP TIME]
- ⑭ [TEXT] Button
- ⑮ [REC START] / [REC STOP] Button

Camera Operation Panel



- ① Zoom
- ② Focus
- ③ Auto Mode
- ④ Control Pad
- ⑤ Brightness
- ⑥ Preset
- ⑦ AUX

System Example



Trademarks and registered trademarks

- Microsoft, and Windows are registered trademarks of Microsoft Corporation in the U.S. and other countries.
- Axis is a registered trademark of Axis Communications AB.

Important

- Safety Precaution: carefully read the operating instructions and installation manual before using this product.
- Panasonic can not be responsible for network performance and/or other manufacturer products that reside on the network.

- All TV pictures/menu are simulated.
- Weights and dimensions are approximate.
- Specifications are subject to change without notice.
- These products may be subject to export control regulations.
- Product pictures shown in this catalog are all NTSC models.

DISTRIBUTED BY:

Panasonic

Panasonic is the brandname of Matsushita Electric.

Printed in Japan

(2A-006L)